



# ALL-BLACK SOLAR MODULE JINERGY DESIGN SERIES

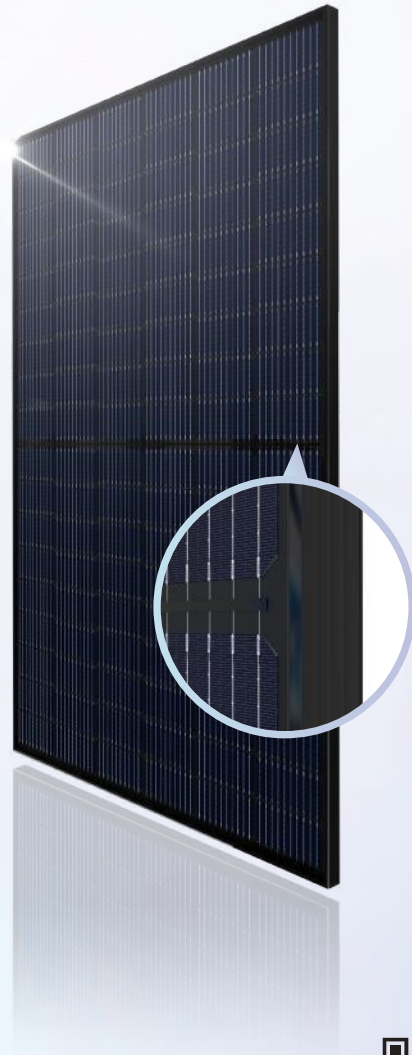
Black frame | Black backsheet | Black bus bar | Black encapsulant material

Optional: JNMM108 - 395~415 | JNMM120 - 360~380 | JNHM120 - 365~385 (Bifacial)

- ✓ Aesthetic-driven design
- ✓ Small and flexible for system layout
- ✓ Enhanced reliability
- ✓ Guaranteed power generation

## Outstanding appearance and performance

- Designed for an aesthetic and stylish rooftop, meanwhile maintaining the conventional advantages and enhancing the reliability via optimized production process.
- Both monofacial and bifacial are available, with excellent anti-PID performance. Suitable for various scenarios such as housetop, carport, commercial and industrial roof etc.



12 Year product warranty

25 Year power generation warranty (Monofacial)

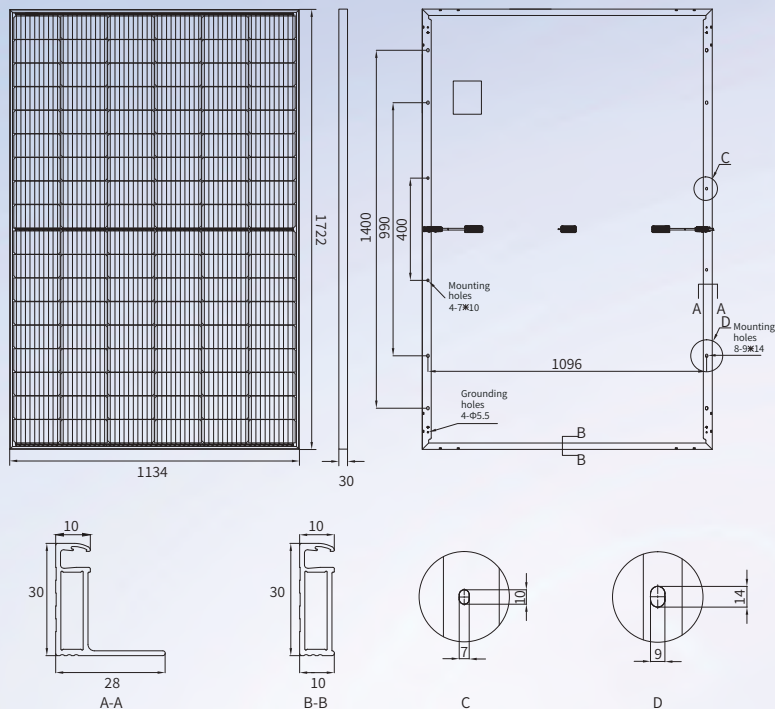
30 Year power generation warranty (Bifacial)



# All black PERC solar module

## JNMM108-395~415

### ENGINEERING DRAWING



### MECHANICAL PARAMETERS

Cell (mm)	182*91 PERC
Dimensions (L*W*H) (mm)	1722*1134*30
Weight (kg)	21.0
Cable Cross Section Size (mm <sup>2</sup> )	4
No. of Cells & Connections	108(6*18)
No. of Diodes	3
Frame	Anodized Aluminium Alloy
Glass Thickness (mm)	3.2

### QUALIFICATION

Temperature Cycling Range (°C)	-40~+85
Max. Series Fuse Rating (A)	25
Max.Wind Load/Max.Snow Load (Pa)	2400/5400
Hot Spot Rate	100% Free
Fire Rating	Class C
Junction Box & Connector Protection Grade	IP68

### TEMPERATURE COEFFICIENTS

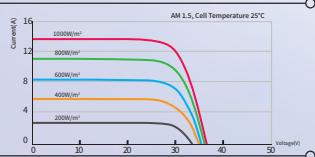
Nominal Module Operating Temperature (NMOT)	43±2°C
Temperature Coefficient Voltage (Voc)	-0.29 %/°C
Temperature Coefficient Current (Isc)	0.04 %/°C
Temperature Coefficient Power (Pm)	-0.34 %/°C

### ELECTRICAL PARAMETERS

Module Type	(1500V DC)	JNMM108-395	JNMM108-400	JNMM108-405	JNMM108-410	JNMM108-415
STC AM1.5 1000W/m <sup>2</sup> Cell Temperature 25°C	Max. Power at STC (Pmpp/W)	395	400	405	410	415
	Output Tolerance (W)	0-+5	0-+5	0-+5	0-+5	0-+5
	Max. Power Voltage (Vmp/V)	30.72	31.04	31.35	31.62	31.92
	Max. Power Current (Imp/A)	12.86	12.89	12.92	12.97	13.00
	Open Circuit Voltage (Voc/V)	36.19	36.54	36.89	37.21	37.56
	Short Circuit Current (Isc/A)	13.66	13.70	13.74	13.79	13.83
NMOT AM1.5 800W/m <sup>2</sup> Ambient Temperature 20°C Wind Speed 1m/s	Module Efficiency (%)	20.22	20.48	20.74	20.99	21.25
	Max. Power (Pmpp/W)	298.8	302.6	306.4	310.2	313.9
	Max. Power Voltage (Vmp/V)	29.04	29.34	29.64	29.89	30.19
	Max. Power Current (Imp/A)	10.29	10.31	10.34	10.38	10.40
	Open Circuit Voltage (Voc/V)	34.17	34.50	34.83	35.13	35.46
	Short Circuit Current (Isc/A)	11.00	11.03	11.06	11.10	11.13

\*Measurement tolerance: Pmax:±3%, Voc:±3%, Isc:±5%.

### I-V CURVE (405W)



### PACKING CONFIGURATION

Pieces Per Pallet	36
Pallets Per Container	26
Pieces Per Container	936

### Default

### Optional

Connector Type	<input type="checkbox"/> MC4 Compatible	<input type="checkbox"/> MC4
Cable Length	<input type="checkbox"/> 1200mm/1200mm	<input type="checkbox"/> Customized



TUV: IEC/EN 61215, IEC/EN 61730  
 GB/T 19001-2016/ ISO 9001:2015  
 GB/T 24001-2016/ ISO 14001:2015  
 GB/T 45001-2020/ ISO 45001:2018  
 CNAS-CL01: ISO/IEC 17025:2017

### 12-year Product materials and workmanship quality warranty

Output power		
The 1st year	The 12th year	The 25th year
≥98.00%	≥91.95%	≥84.80%

CAUTION: The electrical parameters in this product datasheet do not refer to only one module. Read safety and installation instructions before using the product. The contents of this specification are for reference only and are subject to change without notice. Jinerger reserves the right of final interpretation. JNM-20230308-10.13P © 2022 JINERGER CLEAN ENERGY TECHNOLOGY LTD. ALL RIGHTS RESERVED.

