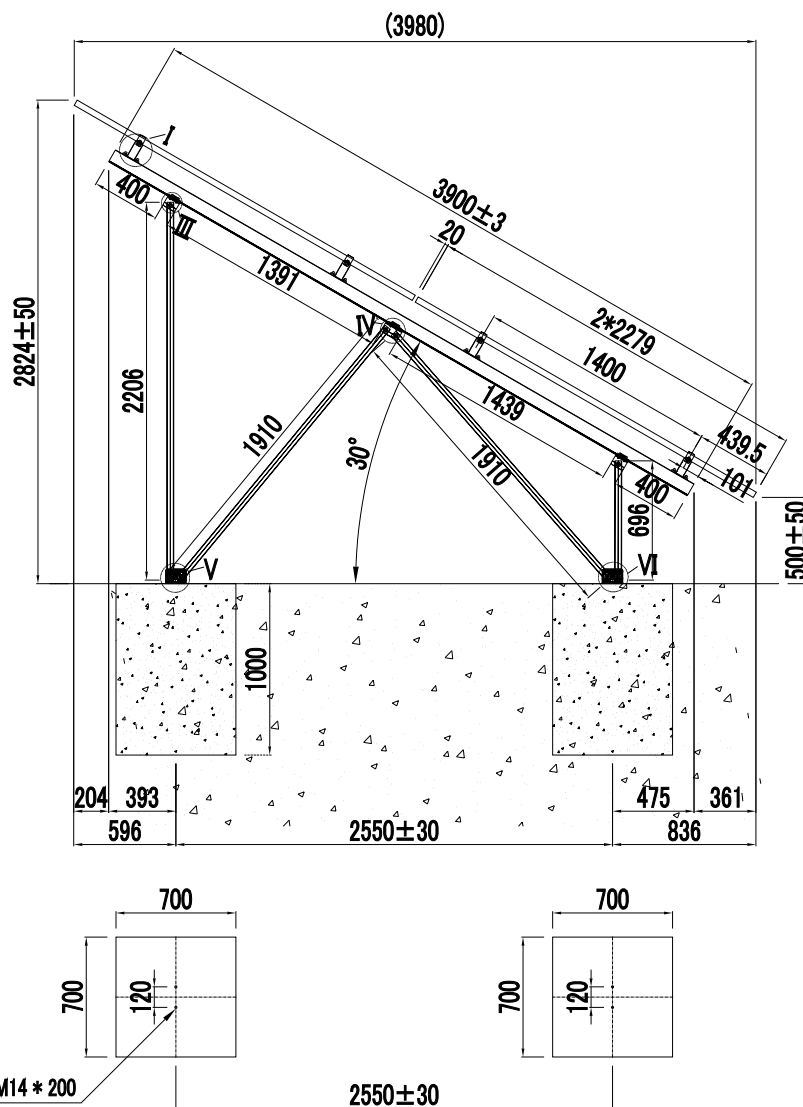
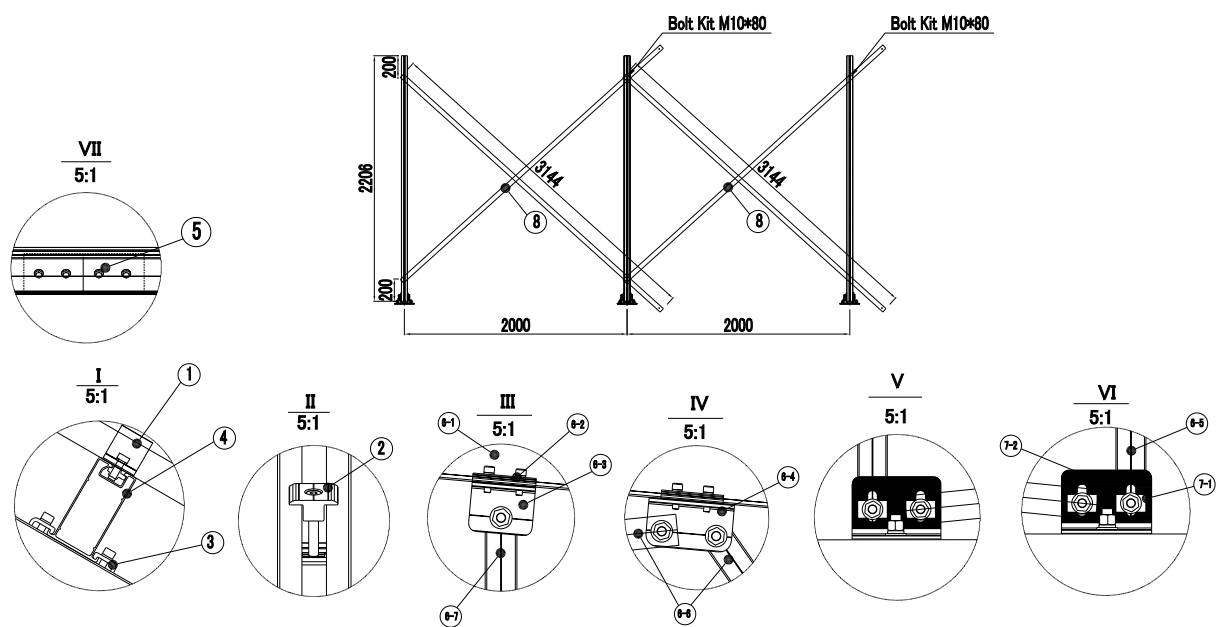
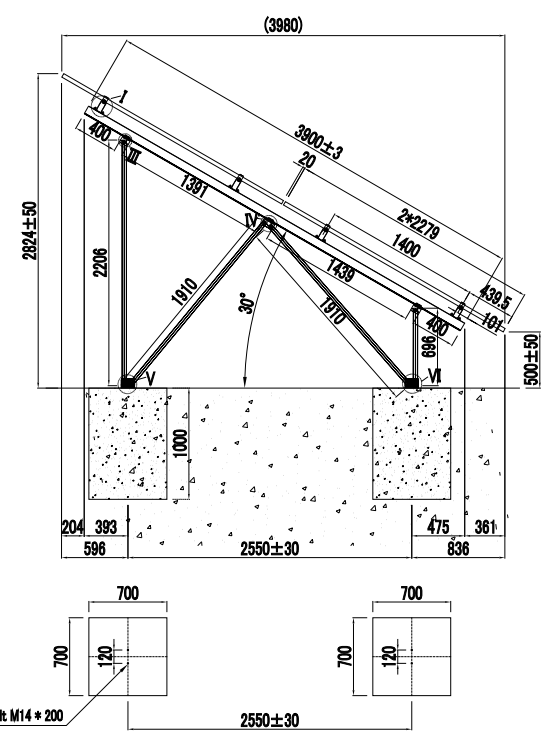
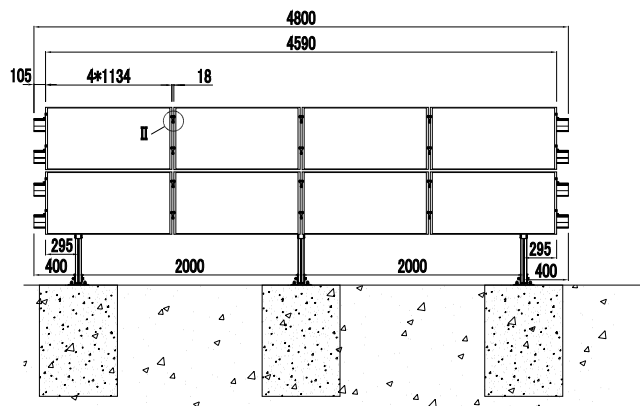


This drawing is valid only if with corresponding edition stamp



This drawing is valid only if with corresponding edition stamp



6-7	55*40 Tube(Pro)	L2206*20	AL6005-T5	3	PGT4-30° Support (pre-assembled)		
6-6	55*40 Tube(Pro)	L1910*20	AL6005-T5	6			
6-5	55*40 Tube(Pro)	L698*20	AL6005-T5	3			
6-4	T-shape Front Joints	L110*120*62	AL6005-T5	3			
6-3	T-shape Back Joints	L80*120*62	AL6005-T5	6			
6-2	C Clamp 80	L80	AL6005-T5	18			
6-1	Beam 80	L3900*64*90	AL6005-T5	3			
5	Splice for Rail 105	L280	AL6005-T5	0	No.		
4	Rail 105	L4800	AL6005-T5	4		Serial No.	
3	C Clamp Kit	L40	AL6005-T5	24			Description
2	Wide Clamp 35 Kit	L80	AL6005-T5	12			
1	End Clamp 35 Kit	L80	AL6005-T5	8	Material		
						Qty	
							Remark

8	20*45 Tube	L3144	AL6005-T5	4	Pro-T-Corrugated Anchor Plate
7-2	Pro-T-Corrugated Anchor Plate	L120	AL6005-T5	6	
7-1	Corrugated gasket	40*25*4	AL6005-T5	24	



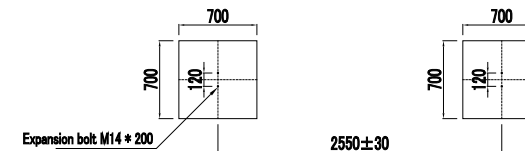
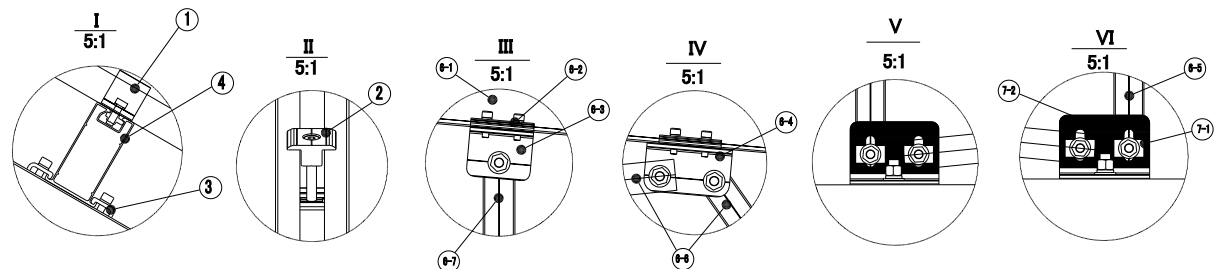
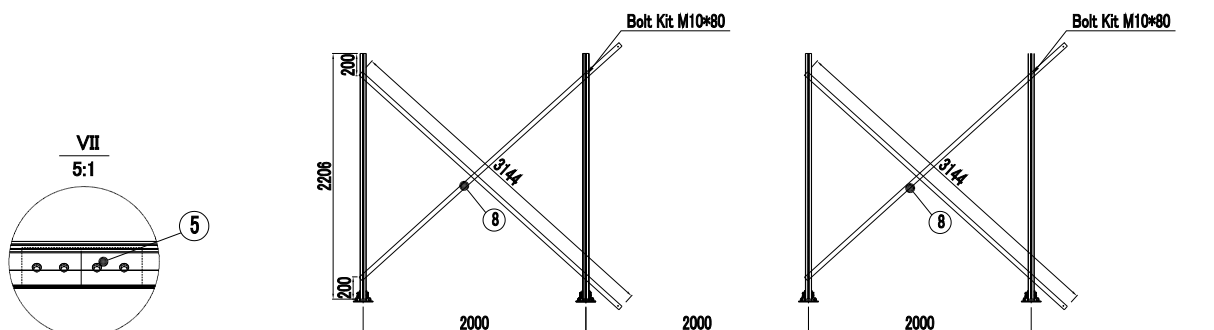
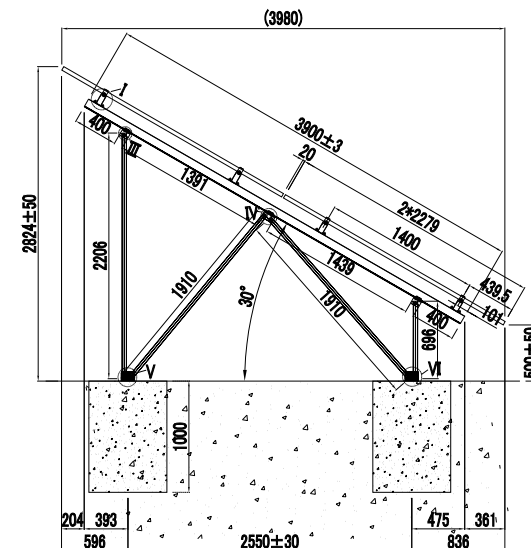
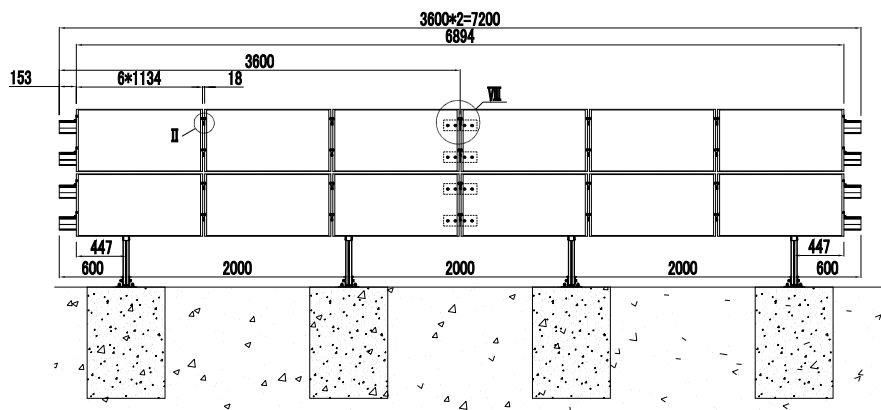
Xiamen Mibet New Energy Co.,Ltd.

Item Code PJ-211115-07
 Proj. Name B41-1MW Ground Project

Panel 2279*1134*35 Power 540W Angle 30° Design Chk'D Appv'D Do Not Scale Drawing
 Wind Speed 29 m/s Snow Load 1.5 KN/m² Layout 2*4
 Terrain Categories B Design Code

No. Serial No. Description Specification Material Qty Remark
 View Scale 1:1
 Date 2022-05-16 Ver. V11

This drawing is valid only if with corresponding edition stamp



6-7	55*40 Tube(Pro)	L2206*20	AL6005-T5	4	PGT4-30° Support (pre-assembled)	
6-6	55*40 Tube(Pro)	L1910*20	AL6005-T5	8		
6-5	55*40 Tube(Pro)	L698*20	AL6005-T5	4		
6-4	T-shape Front Joints	L110*120*62	AL6005-T5	4		
6-3	T-shape Back Joints	L80*120*62	AL6005-T5	8		
6-2	C Clamp 80	L80	AL6005-T5	24		
6-1	Beam 80	L3900*64*90	AL6005-T5	4		
5	Splice for Rail 105	L280	AL6005-T5	4		
4	Rail 105	L3600	AL6005-T5	8	No.	
3	C Clamp Kit	L40	AL6005-T5	32		Serial No.
2	Wide Clamp 35 Kit	L80	AL6005-T5	20		
1	End Clamp 35 Kit	L80	AL6005-T5	8	Specification	
8	20*45 Tube	L3144	AL6005-T5	4		Material
7-2	Pro-T-Corrugated Anchor Plate	L120	AL6005-T5	8		
7-1	Corrugated gasket	40*25*4	AL6005-T5	32	Remark	

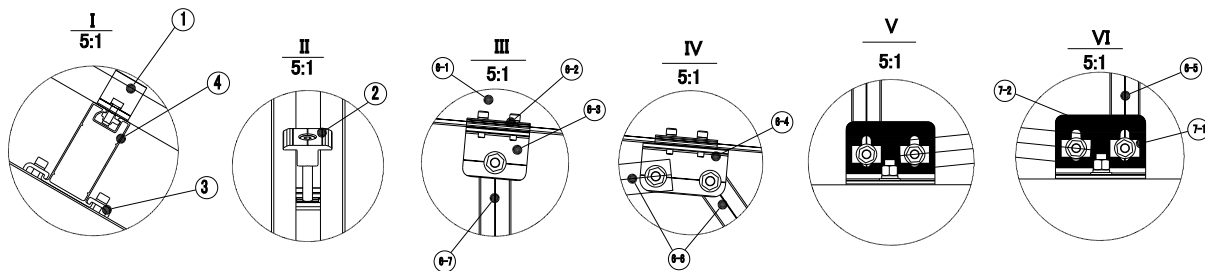
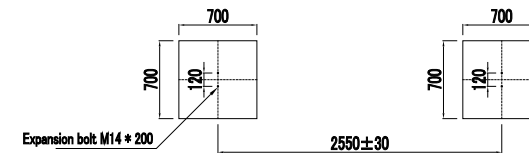
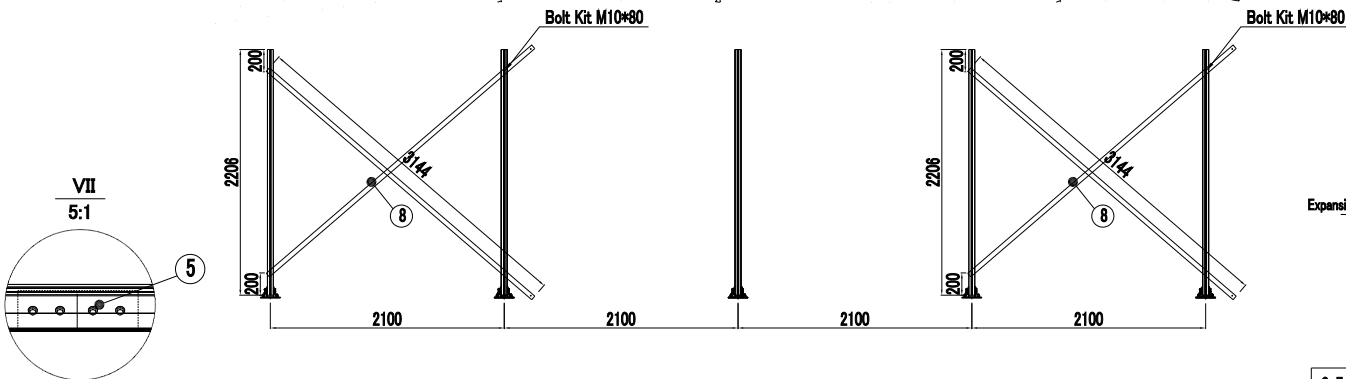
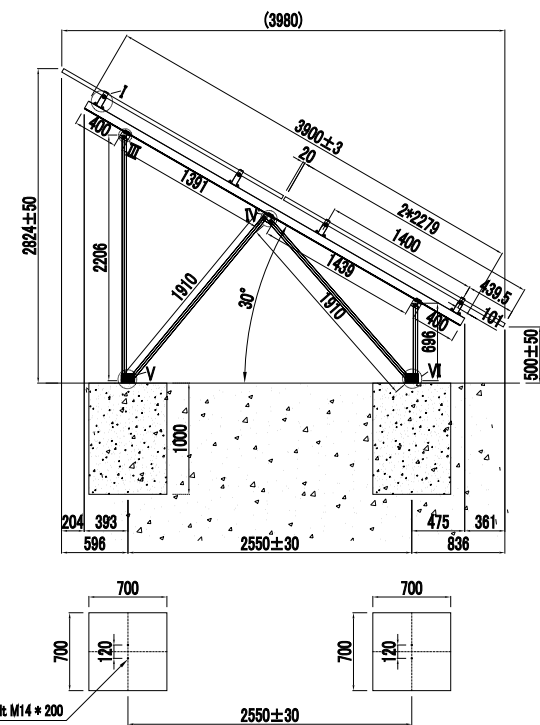
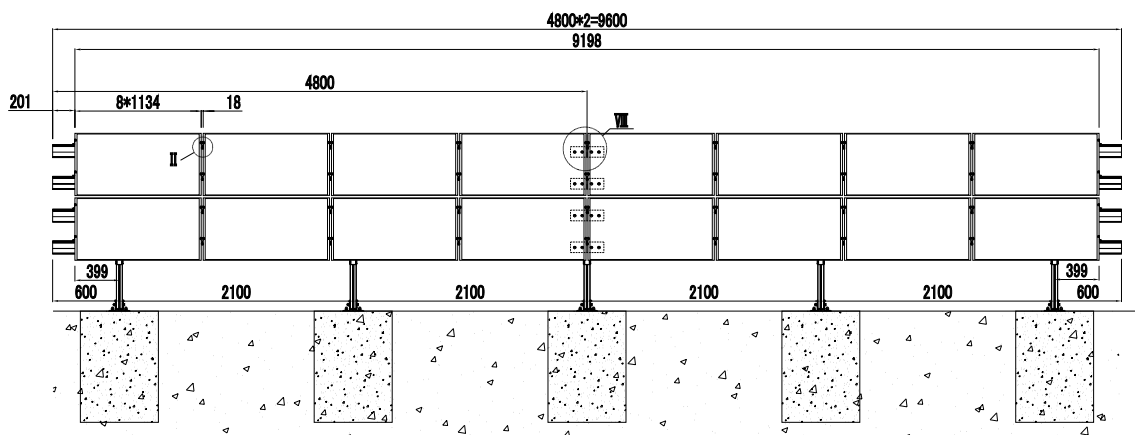
MIBET ENERGY
Xiamen Mibet New Energy Co.,Ltd.

Item Code PJ-211115-07
Proj. Name B41-1MW Ground Project

Panel 2279*1134*35 Power 540W Angle 30°
Wind Speed 29 m/s Snow Load 1.5 KN/m² Layout 2*6
Terrain Categories B Design Code

Design Chk'D Appv'D Do Not Scale Drawing
View Scale 1:1
Date 2022-05-16 Ver. V11

This drawing is valid only if with corresponding edition stamp



8	20*45 Tube	L3144	AL6005-T5	4	
7-2	Pro-T-Corrugated Anchor Plate	L120	AL6005-T5	10	Pro-T-Corrugated Anchor Plate
7-1	Corrugated gasket	40*25*4	AL6005-T5	40	

No.	Serial No.	Description	Specification	Material	Qty	Remark
6-7		55*40 Tube (Pro)	L2206*20	AL6005-T5	5	PGT4-30° Support (pre-assembled)
6-6		55*40 Tube (Pro)	L1910*20	AL6005-T5	10	
6-5		55*40 Tube (Pro)	L698*20	AL6005-T5	5	
6-4		T-shape Front Jointer	L110*120*62	AL6005-T5	5	
6-3		T-shape Back Jointer	L80*120*62	AL6005-T5	10	
6-2		C Clamp 80	L80	AL6005-T5	30	
6-1		Beam 80	L3900*64*90	AL6005-T5	5	
5		Splice for Rail 105	L280	AL6005-T5	4	
4		Rail 105	L4800	AL6005-T5	8	
3		C Clamp Kit	L40	AL6005-T5	40	
2		Wide Clamp 35 Kit	L80	AL6005-T5	28	
1		End Clamp 35 Kit	L80	AL6005-T5	8	

MIBET ENERGY
Xiamen Mibet New Energy Co.,Ltd.

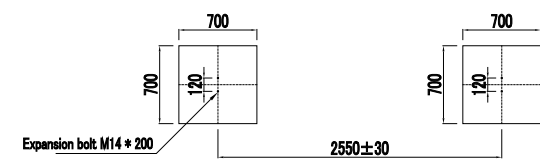
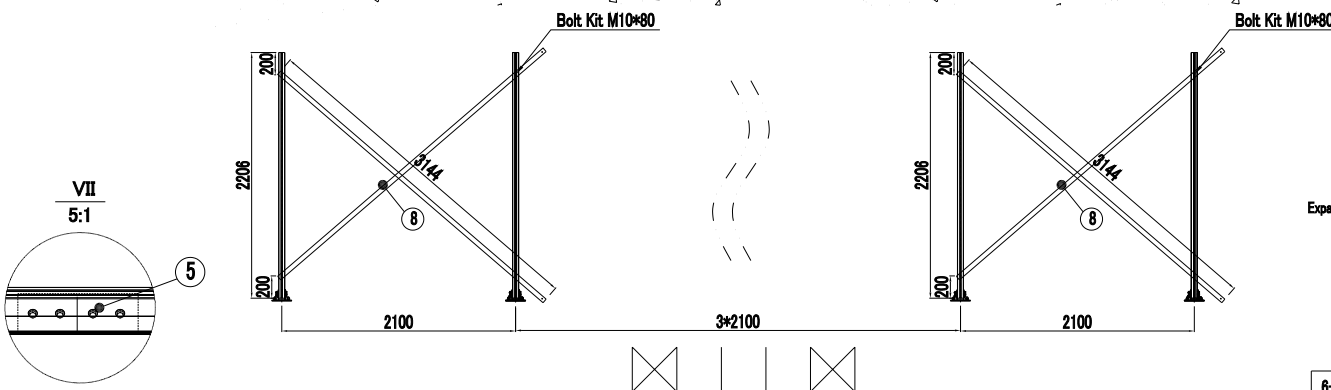
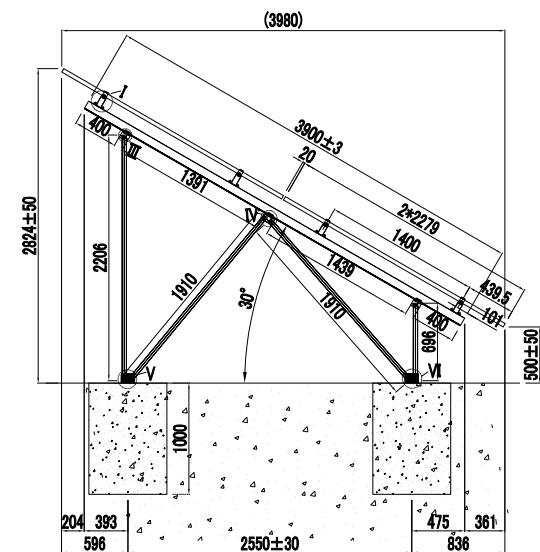
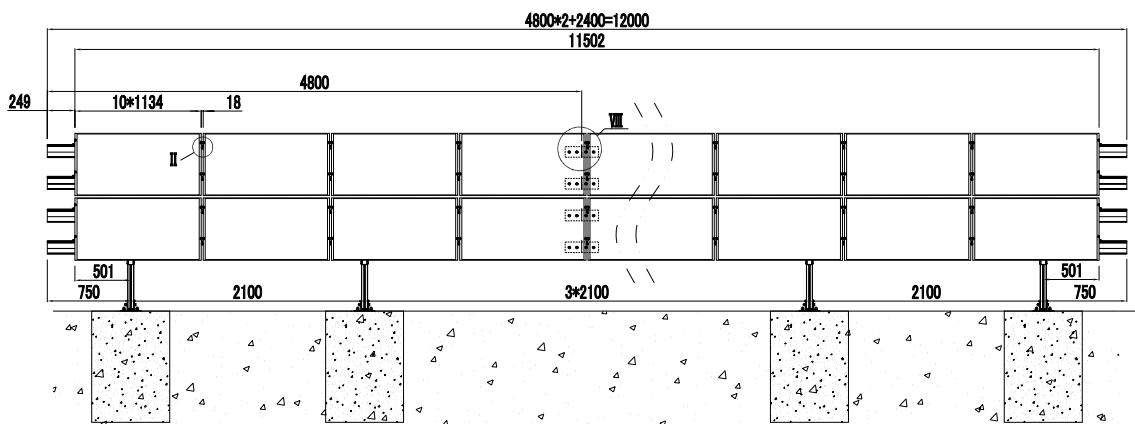
Item Code PJ-211115-07
Proj. Name B41-1MW Ground Project

Panel 2279*1134*35 Power 540W Angle 30°
Wind Speed 29 m/s Snow Load 1.5 KN/m² Layout 2*8
Terrain Categories B Design Code

Design Chk' D Appv' D
Do Not Scale Drawing

View Scale 1:1
Date 2022-05-16 Ver. V11

This drawing is valid only if with corresponding edition stamp



6-7	55*40 Tube(Pro)	L2206*20	AL6005-T5	6	PGT4-30° Support (pre-assembled)		
6-6	55*40 Tube(Pro)	L1910*20	AL6005-T5	12			
6-5	55*40 Tube(Pro)	L698*20	AL6005-T5	6			
6-4	T-shape Front Joints	L110*120*62	AL6005-T5	6			
6-3	T-shape Back Joints	L80*120*62	AL6005-T5	12			
6-2	C Clamp 80	L80	AL6005-T5	36			
6-1	Beam 80	L3900*64*90	AL6005-T5	6			
5	Splice for Rail 105	L280	AL6005-T5	8	No.		
4	Rail 105	L4800/2400	AL6005-T5	8/4		Serial No.	
3	C Clamp Kit	L40	AL6005-T5	48			Description
2	Wide Clamp 35 Kit	L80	AL6005-T5	36			
1	End Clamp 35 Kit	L80	AL6005-T5	8	Material		
						Qty	
							Remark

8	20*45 Tube	L3144	AL6005-T5	4	Pro-T-Corrugated Anchor Plate
7-2	Pro-T-Corrugated Anchor Plate	L120	AL6005-T5	12	
7-1	Corrugated gasket	40*25*4	AL6005-T5	48	

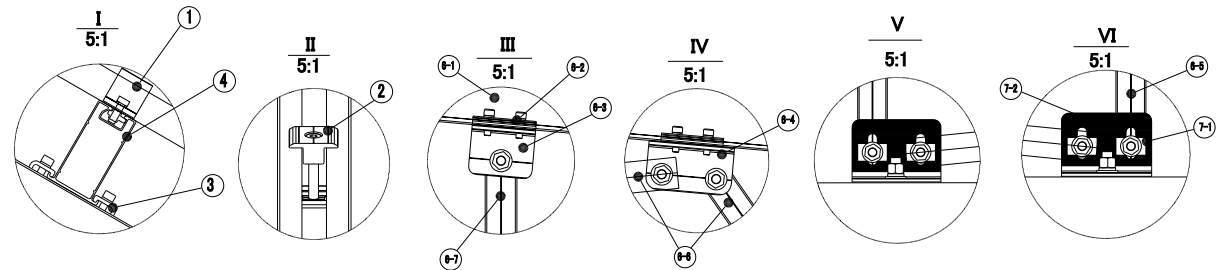
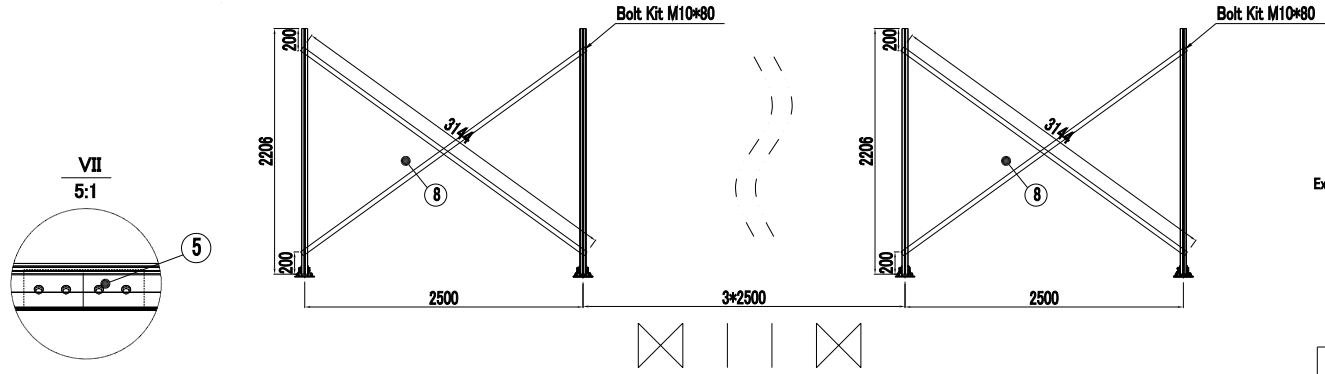
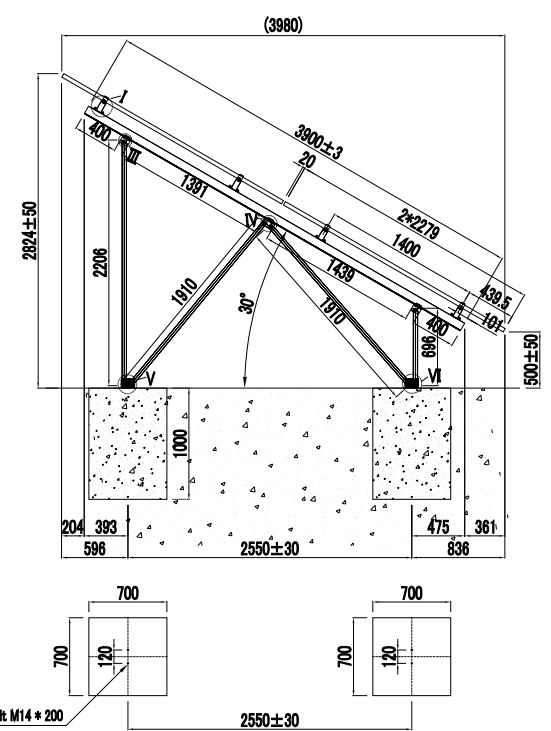
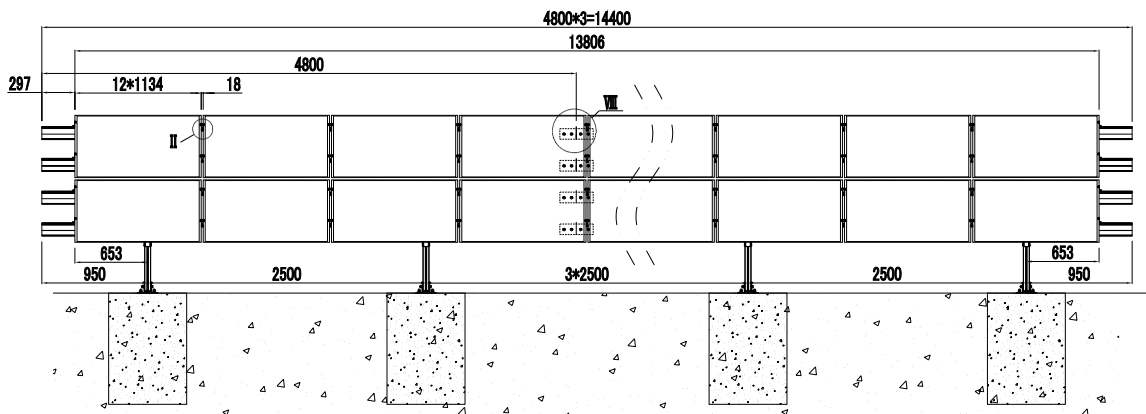


Item Code PJ-211115-07
 Proj. Name B41-1MW Ground Project

Panel 2279*1134*35 Power 540W Angle 30° Design Chk' D Appv' D
 Wind Speed 29 m/s Snow Load 1.5 KN/m² Layout 2*10
 Terrain Categories B Design Code

Do Not Scale Drawing
 View Scale 1:1
 Date 2022-05-16 Ver. V11

This drawing is valid only if with corresponding edition stamp



6-7	55*40 Tube(Pro)	L2206*20	AL6005-T5	6	PGT4-30° Support (pre-assembled)	
6-6	55*40 Tube(Pro)	L1910*20	AL6005-T5	12		
6-5	55*40 Tube(Pro)	L698*20	AL6005-T5	6		
6-4	T-shape Front Jointer	L110*120*62	AL6005-T5	6		
6-3	T-shape Back Jointer	L80*120*62	AL6005-T5	12		
6-2	C Clamp 80	L80	AL6005-T5	36		
6-1	Beam 80	L3900*64*90	AL6005-T5	6		
5	Splice for Rail 105	L260	AL6005-T5	8	No.	
4	Rail 105	L4800	AL6005-T5	12		Serial No.
3	C Clamp Kit	L40	AL6005-T5	48		Description
2	Wide Clamp 35 Kit	L80	AL6005-T5	44		Specification
1	End Clamp 35 Kit	L80	AL6005-T5	8	Material	
					Qty	
					Remark	

8	20*45 Tube	L3144	AL6005-T5	4	Pro-T-Corrugated Anchor Plate
7-2	Pro-T-Corrugated Anchor Plate	L120	AL6005-T5	12	
7-1	Corrugated gasket	40*25*4	AL6005-T5	48	



Xiamen Mibet New Energy Co.,Ltd.

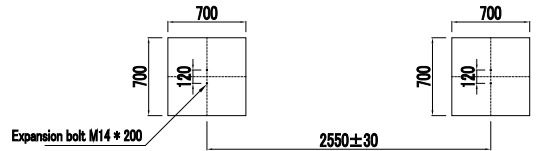
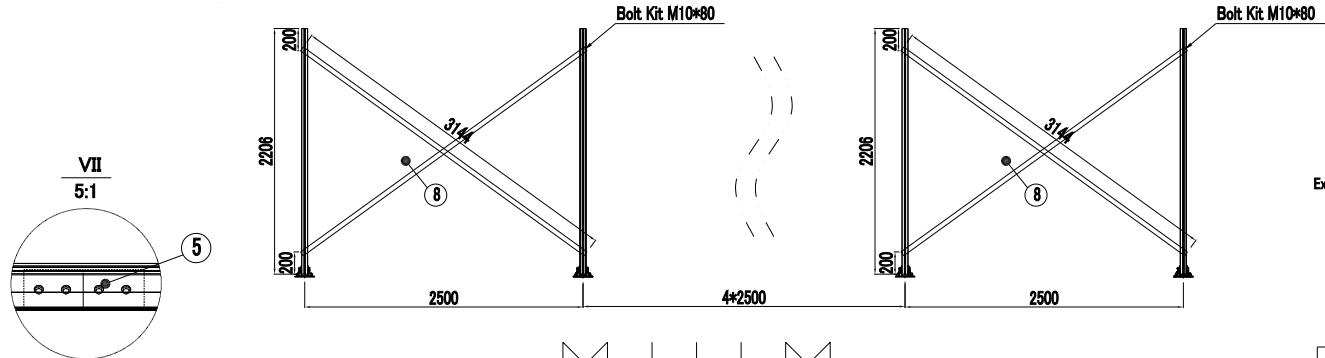
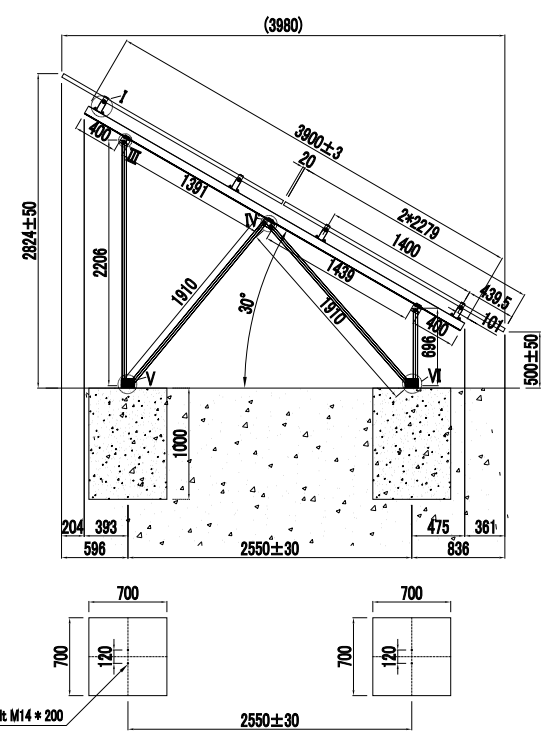
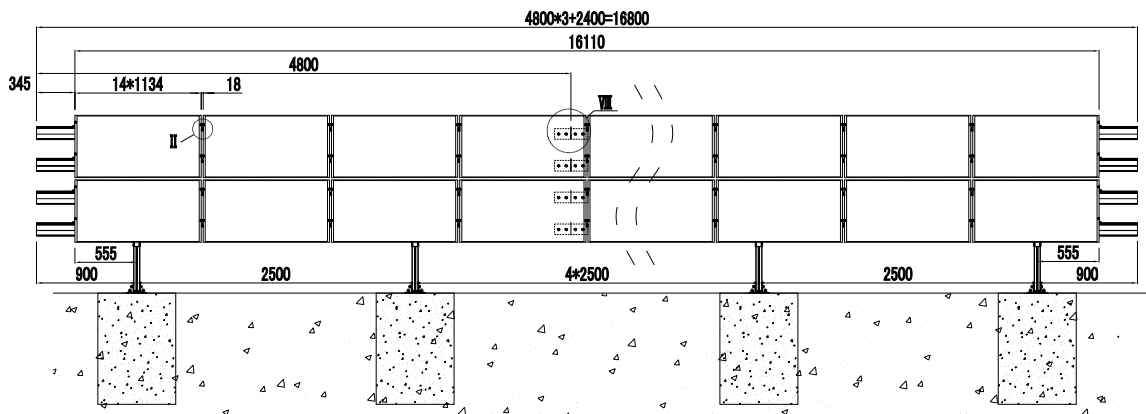
Item Code PJ-211115-07
 Proj. Name B41-1MW Ground Project

Panel 2279*1134*35 Power 540W
 Wind Speed 29 m/s Snow Load 1.5 KN/m²
 Terrain Categories B Design Code

Angle 30° Design Chk'D Appv'D
 Layout 2*12

Do Not Scale Drawing
 View Scale 1:1
 Date 2022-05-16 Ver. V11

This drawing is valid only if with corresponding edition stamp



6-7	55*40 Tube(Pro)	L2206*20	AL6005-T5	7	PGT4-30° Support (pre-assembled)		
6-6	55*40 Tube(Pro)	L1910*20	AL6005-T5	14			
6-5	55*40 Tube(Pro)	L696*20	AL6005-T5	7			
6-4	T-shape Front Jointer	L110*120*62	AL6005-T5	7			
6-3	T-shape Back Jointer	L80*120*62	AL6005-T5	14			
6-2	C Clamp 80	L80	AL6005-T5	42			
6-1	Beam 80	L3900*64*90	AL6005-T5	7			
5	Splice for Rail 105	L260	AL6005-T5	12	No.		
4	Rail 105	L4800/2400	AL6005-T5	12/4		Serial No.	
3	C Clamp Kit	L40	AL6005-T5	56			Description
2	Wide Clamp 35 Kit	L80	AL6005-T5	52			
1	End Clamp 35 Kit	L80	AL6005-T5	8	Material		
						Qty	
							Remark

8	20*45 Tube	L3144	AL6005-T5	4	Pro-T-Corrugated Anchor Plate
7-2	Pro-T-Corrugated Anchor Plate	L120	AL6005-T5	14	
7-1	Corrugated gasket	40*25*4	AL6005-T5	56	

MIBET ENERGY
Xiamen Mibet New Energy Co.,Ltd.

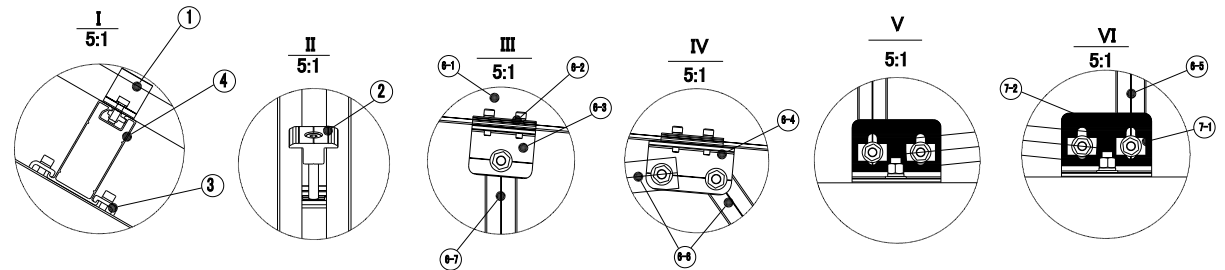
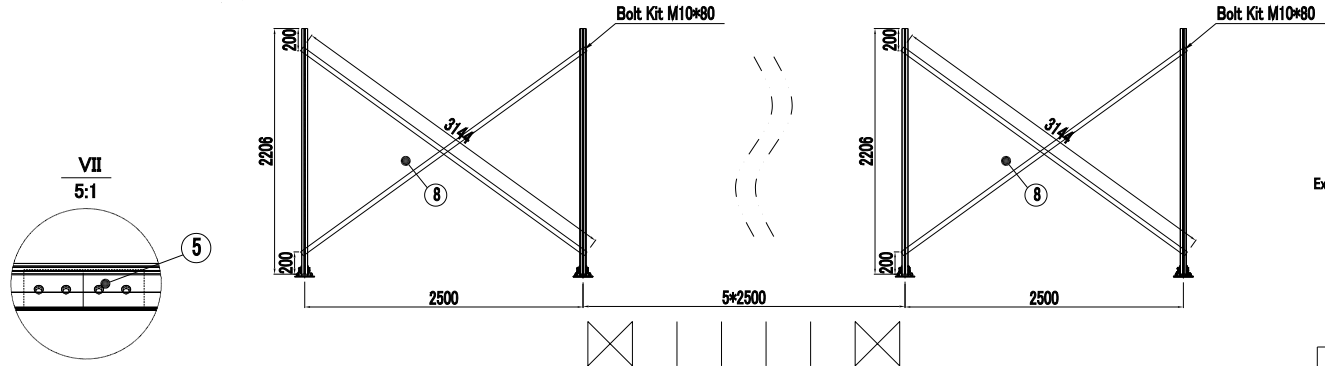
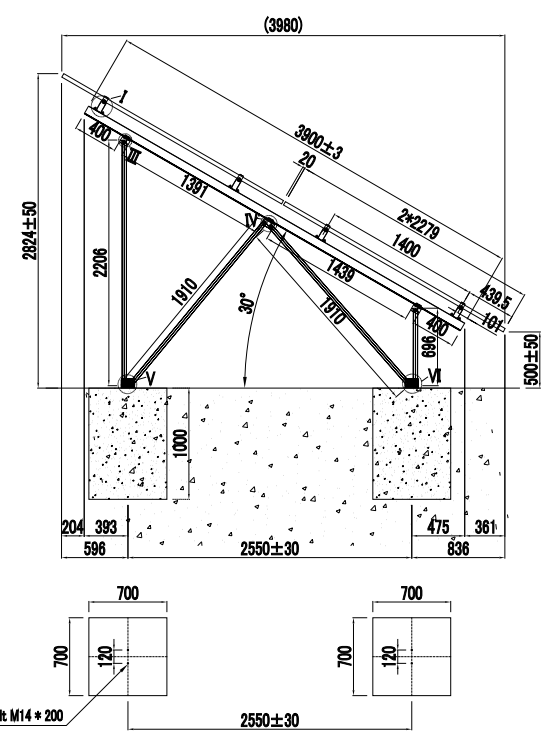
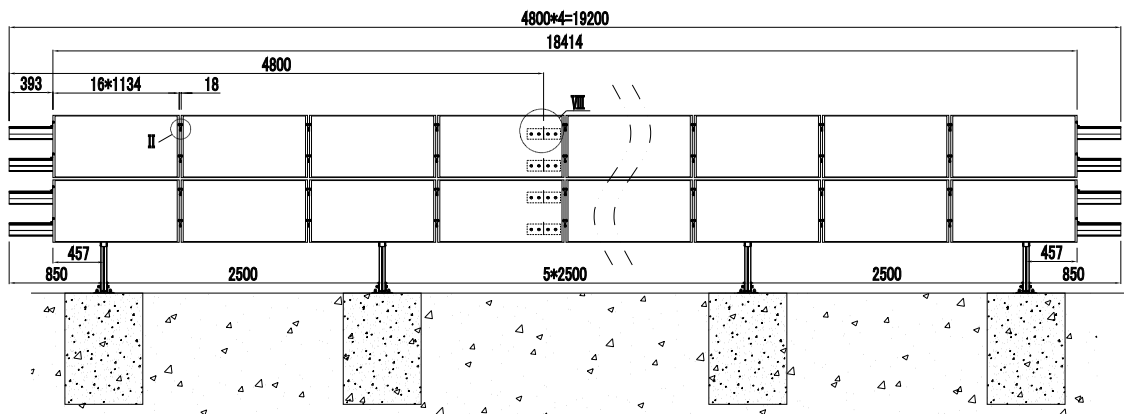
Item Code PJ-211115-07
Proj. Name B41-1MW Ground Project

Panel 2279*1134*35 Power 540W
Wind Speed 29 m/s Snow Load 1.5 KN/m²
Terrain Categories B Design Code

Angle 30° Design Chk'D Appv'D
Layout 2*14

Do Not Scale Drawing
View Scale 1:1
Date 2022-05-16 Ver. V11

This drawing is valid only if with corresponding edition stamp



8	20*45 Tube	L3144	AL6005-T5	4	
7-2	Pro-T-Corrugated Anchor Plate	L120	AL6005-T5	16	Pro-T-Corrugated Anchor Plate
7-1	Corrugated gasket	40*25*4	AL6005-T5	64	

No.	Serial No.	Description	Specification	Material	Qty	Remark
6-7		55*40 Tube(Pro)	L2206*20	AL6005-T5	8	PGT4-30° Support (pre-assembled)
6-6		55*40 Tube(Pro)	L1910*20	AL6005-T5	16	
6-5		55*40 Tube(Pro)	L696*20	AL6005-T5	8	
6-4		T-shape Front Joints	L110*120*62	AL6005-T5	8	
6-3		T-shape Back Joints	L80*120*62	AL6005-T5	16	
6-2		C Clamp 80	L80	AL6005-T5	48	
6-1		Beam 80	L3900*64*90	AL6005-T5	8	
5		Splice for Rail 105	L260	AL6005-T5	16	
4		Rail 105	L4800	AL6005-T5	20	
3		C Clamp Kit	L40	AL6005-T5	64	
2		Wide Clamp 35 Kit	L80	AL6005-T5	60	
1		End Clamp 35 Kit	L80	AL6005-T5	8	



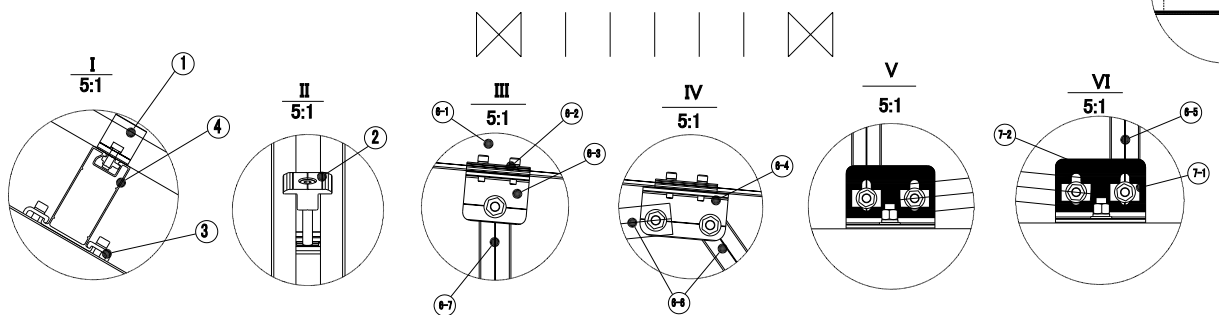
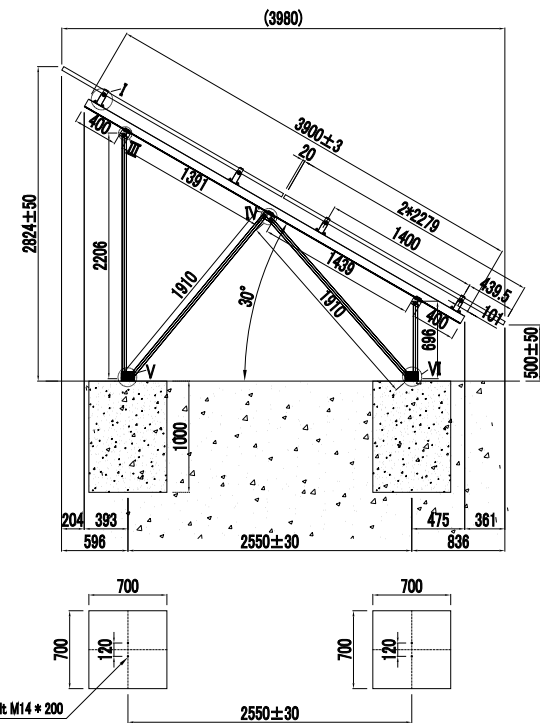
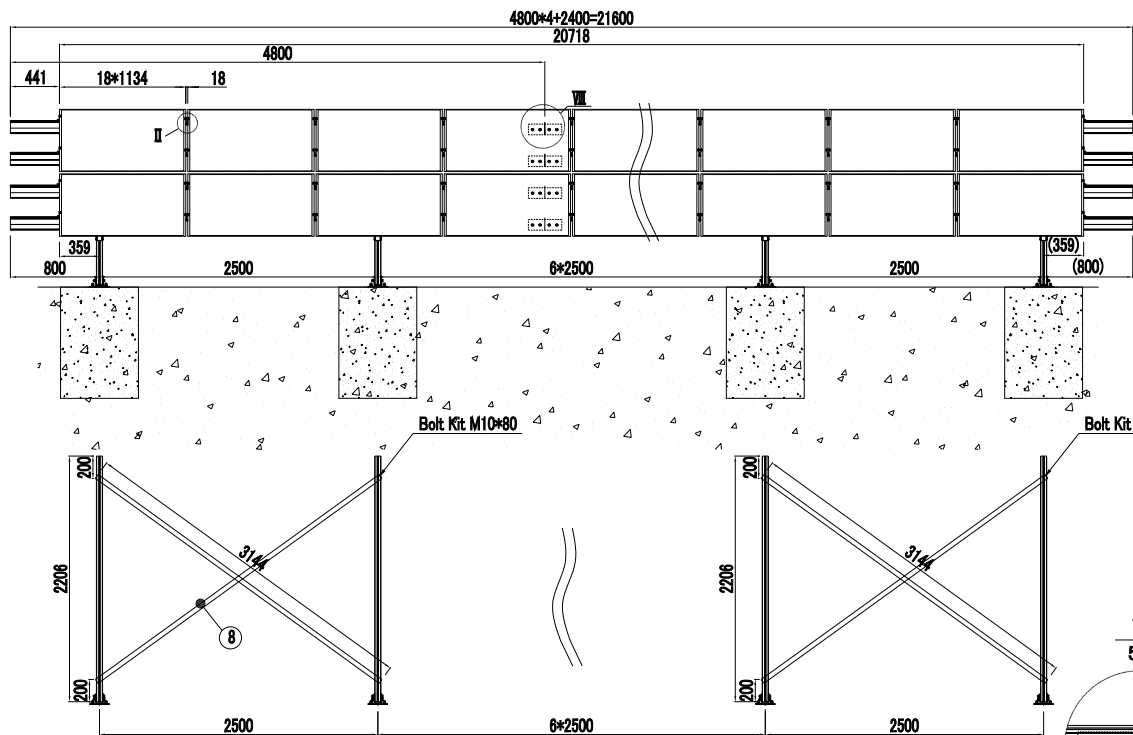
Xiamen Mibet New Energy Co.,Ltd.

Item Code PJ-211115-07
 Proj. Name B41-1MW Ground Project

Panel 2279*1134*35 Power 540W Angle 30°
 Wind Speed 29 m/s Snow Load 1.5 KN/m² Layout 2*16
 Terrain Categories B Design Code

Design Chk'D Appv'D Do Not Scale Drawing
 View Scale 1:1
 Date 2022-05-16 Ver. V11

This drawing is valid only if with corresponding edition stamp



6-7	55*40 Tube(Pro)	L2206*20	AL6005-T5	9	PGT4-30° Support (pre-assembled)	
6-6	55*40 Tube(Pro)	L1910*20	AL6005-T5	18		
6-5	55*40 Tube(Pro)	L698*20	AL6005-T5	9		
6-4	T-shape Front Joints	L110*120*62	AL6005-T5	9		
6-3	T-shape Back Joints	L80*120*62	AL6005-T5	18		
6-2	C Clamp 80	L80	AL6005-T5	54		
6-1	Beam 80	L3900*64*90	AL6005-T5	9		
5	Splice for Rail 105	L280	AL6005-T5	16		
4	Rail 105	L4800/2400	AL6005-T5	16/4		
3	C Clamp Kit	L40	AL6005-T5	72		
2	Wide Clamp 35 Kit	L80	AL6005-T5	68		
1	End Clamp 35 Kit	L80	AL6005-T5	8		
No.	Serial No.	Description	Specification	Material	Qty	Remark

8	20*45 Tube	L3144	AL6005-T5	4	Pro-T-Corrugated Anchor Plate
7-2	Pro-T-Corrugated Anchor Plate	L120	AL6005-T5	18	
7-1	Corrugated gasket	40*25*4	AL6005-T5	72	



Xiamen Mibet New Energy Co.,Ltd.

Item Code **23-121115-07**

Proj. Name **B41-1MW Ground Project**

Panel **2279*1134*35** Power **540W**

Wind Speed **29 m/s** Snow Load **1.5 KN/m²**

Terrain Categories **B** Design Code

Angle **30°** Design Chk' D Appv' D

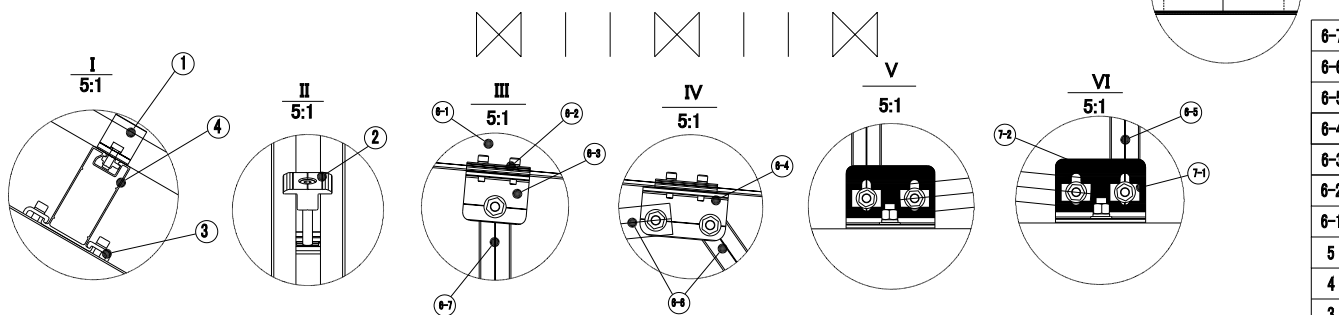
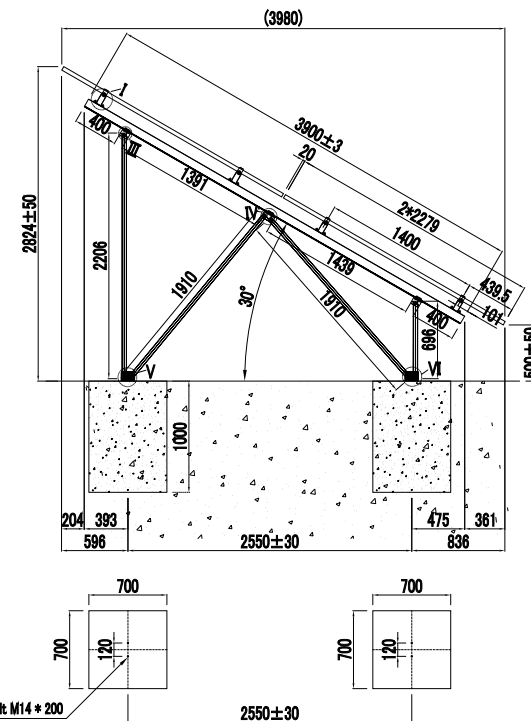
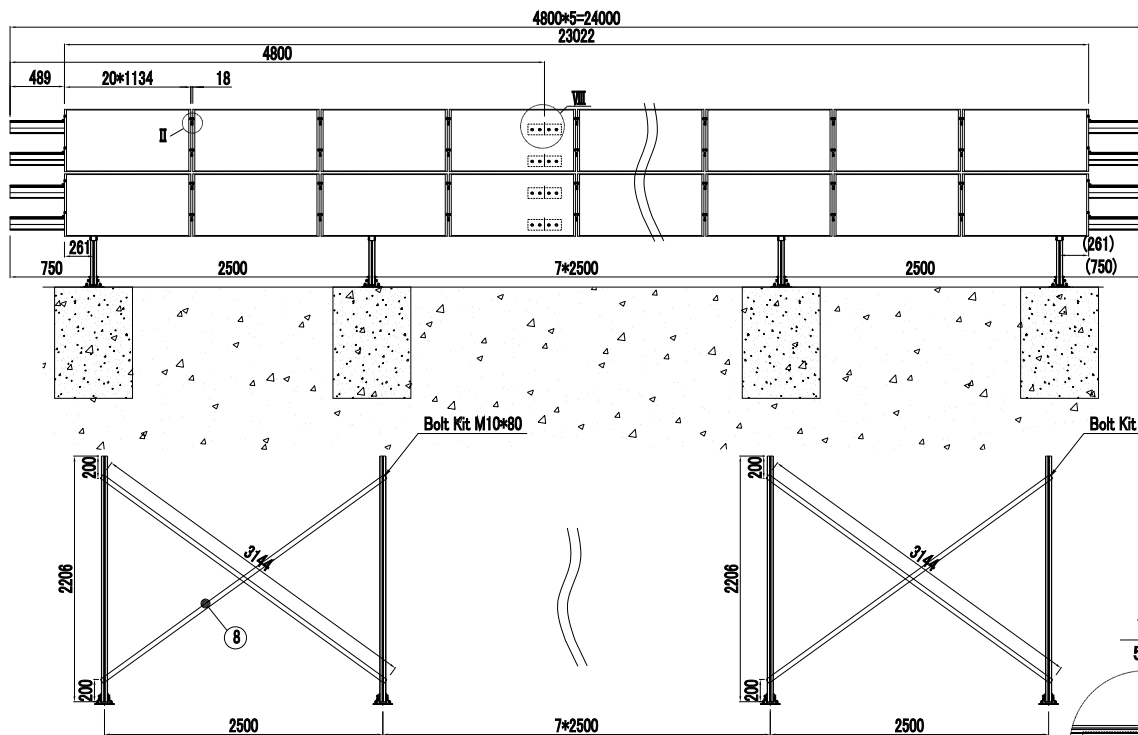
Layout **2*18**

Do Not Scale Drawing

View Scale 1:1

Date **2022-05-16** Ver. **V11**

This drawing is valid only if with corresponding edition stamp



8	20*45 Tube	L3144	AL6005-T5	6
7-2	Pro-T-Corrugated Anchor Plate	L120	AL6005-T5	20
7-1	Corrugated gasket	40*25*4	AL6005-T5	80

No.	Serial No.	Description	Specification	Material	Qty	Remark
6-7		55*40 Tube(Pro)	L2206*20	AL6005-T5	10	PGT4-30° Support (pre-assembled)
6-6		55*40 Tube(Pro)	L1910*20	AL6005-T5	20	
6-5		55*40 Tube(Pro)	L698*20	AL6005-T5	10	
6-4		T-shape Front Jointer	L110*120*62	AL6005-T5	10	
6-3		T-shape Back Jointer	L80*120*62	AL6005-T5	20	
6-2		C Clamp 80	L80	AL6005-T5	60	
6-1		Beam 80	L3900*64*90	AL6005-T5	10	
5		Splice for Rail 105	L280	AL6005-T5	16	
4		Rail 105	L4800	AL6005-T5	20	
3		C Clamp Kit	L40	AL6005-T5	80	
2		Wide Clamp 35 Kit	L80	AL6005-T5	76	
1		End Clamp 35 Kit	L80	AL6005-T5	8	

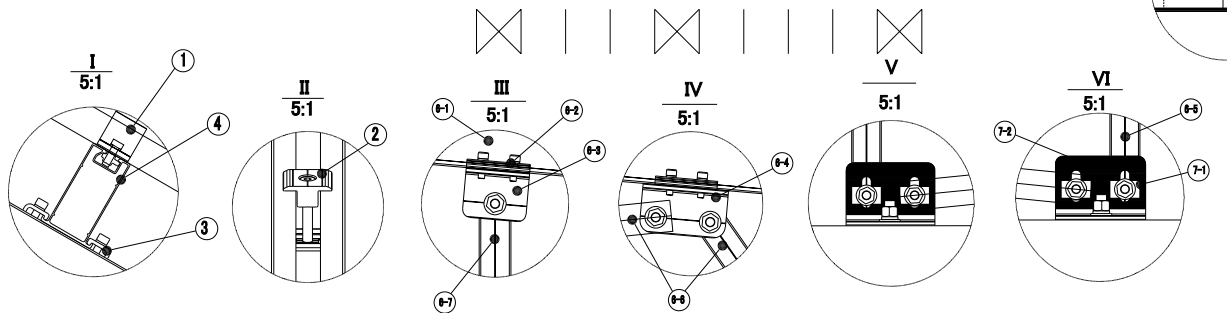
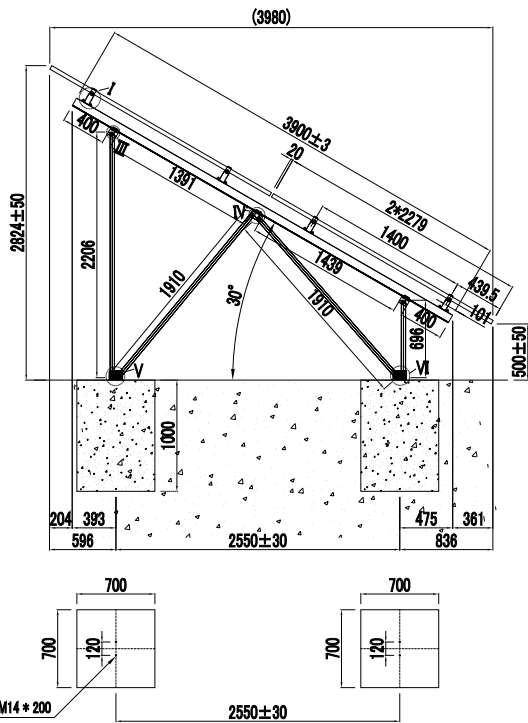
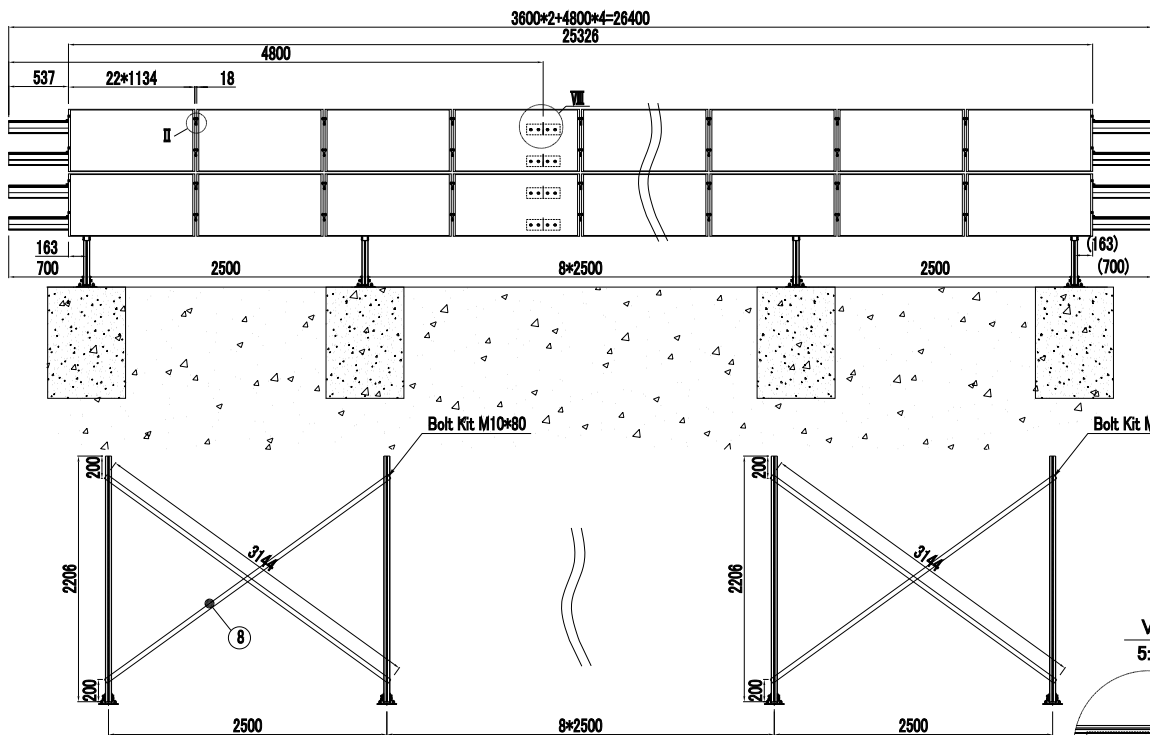
MIBET ENERGY
Xiamen Mibet New Energy Co.,Ltd.

Item Code: **23-121115-07**
Proj. Name: **B41-1MW Ground Project**

Panel: **2279*1134*35** Power: **540W** Angle: **30°**
Wind Speed: **29 m/s** Snow Load: **1.5 KN/m²** Layout: **2*20**
Terrain Categories: **B** Design Code:

Design: **Chk' D** Appv' D: **Do Not Scale Drawing**
View: **Scale 1:1**
Date: **2022-05-16** Ver.: **V11**

This drawing is valid only if with corresponding edition stamp



8	20*45 Tube	L3144	AL6005-T5	6
7-2	Pro-T-Corrugated Anchor Plate	L120	AL6005-T5	44
7-1	Corrugated gasket	40*25*4	AL6005-T5	88

No.	Serial No.	Description	Specification	Material	Qty	Remark
6-7		55*40 Tube(Pro)	L2206*20	AL6005-T5	11	PGT4-30° Support (pre-assembled)
6-6		55*40 Tube(Pro)	L1910*20	AL6005-T5	22	
6-5		55*40 Tube(Pro)	L698*20	AL6005-T5	11	
6-4		T-shape Front Joints	L110*120*62	AL6005-T5	11	
6-3		T-shape Back Joints	L80*120*62	AL6005-T5	22	
6-2		C Clamp 80	L80	AL6005-T5	66	
6-1		Beam 80	L3900*64*90	AL6005-T5	11	
5		Splice for Rail 105	L260	AL6005-T5	20	
4		Rail 105	L4800/3600	AL6005-T5	16/8	
3		C Clamp Kit	L40	AL6005-T5	88	
2		Wide Clamp 35 Kit	L80	AL6005-T5	84	
1		End Clamp 35 Kit	L80	AL6005-T5	8	

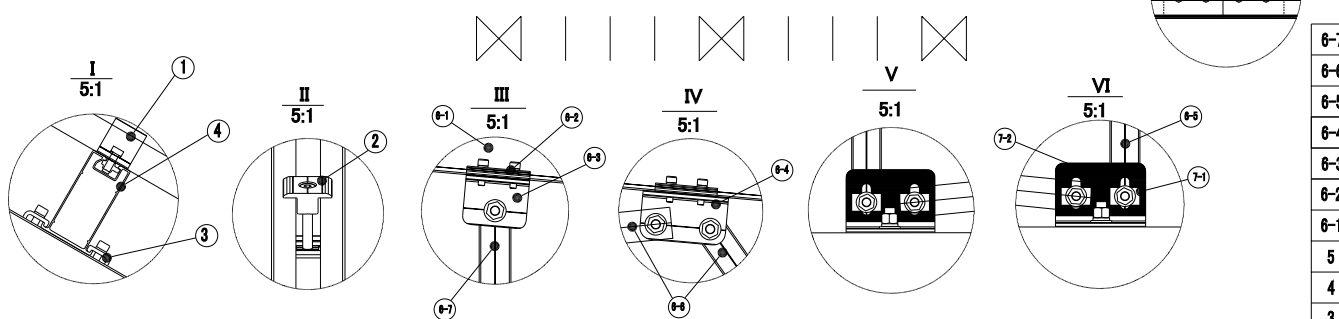
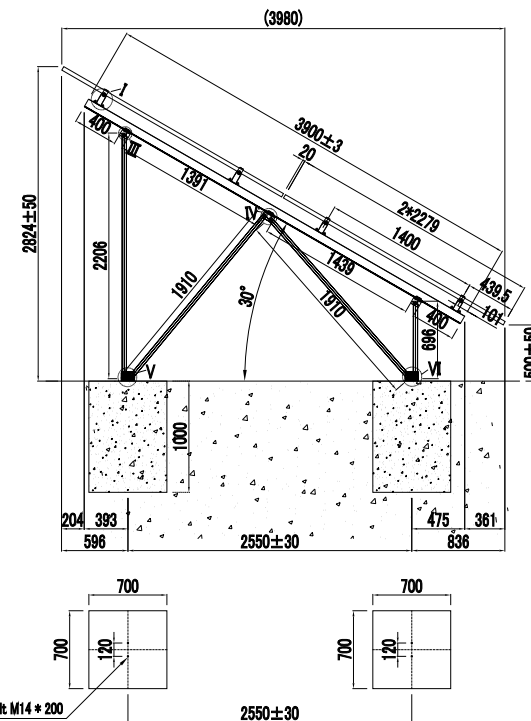
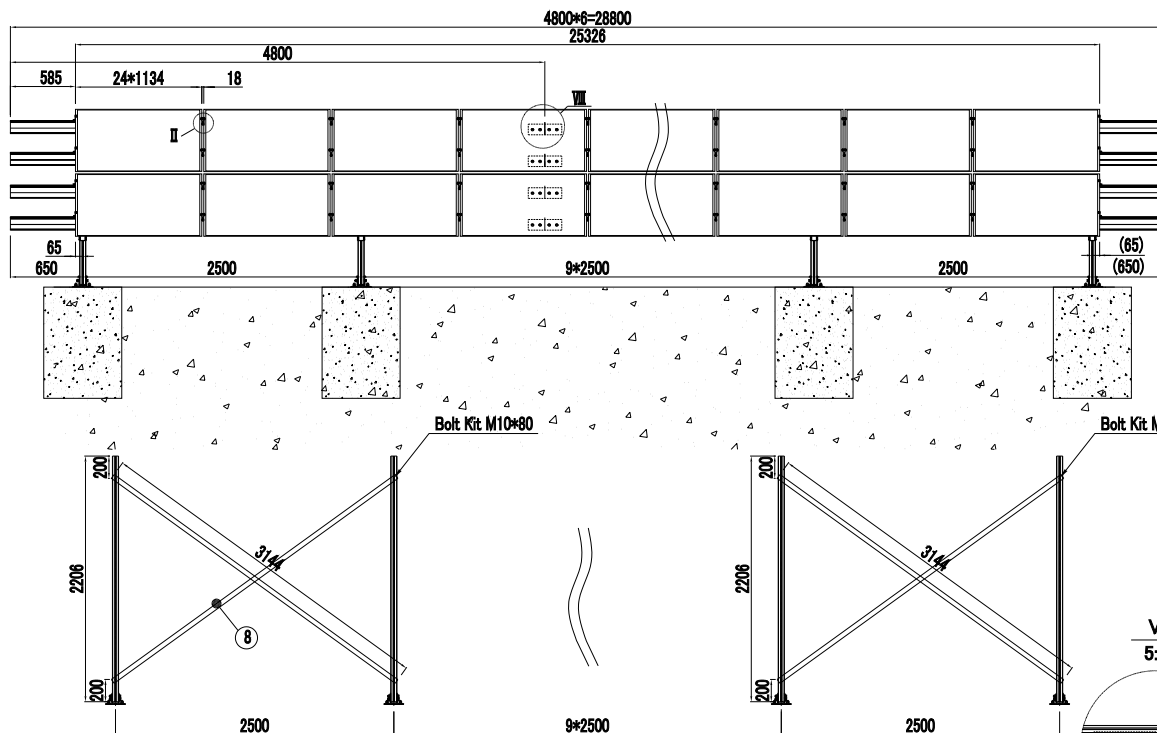


Item Code: **23-121115-07**
 Proj. Name: **B41-1MW Ground Project**

Panel: **2279*1134*35** Power: **540W** Angle: **30°**
 Wind Speed: **29 m/s** Snow Load: **1.5 KN/m²** Layout: **2*22**
 Terrain Categories: **B** Design Code:

Design: **Chk' D** Appv' D: **Do Not Scale Drawing**
 View: **Scale 1:1**
 Date: **2022-06-02** Ver.: **V11**

This drawing is valid only if with corresponding edition stamp



6-7	55*40 Tube(Pro)	L2206*20	AL6005-T5	12	PGT4-30° Support (pre-assembled)	
6-6	55*40 Tube(Pro)	L1910*20	AL6005-T5	24		
6-5	55*40 Tube(Pro)	L698*20	AL6005-T5	12		
6-4	T-shape Front Joints	L110*120*62	AL6005-T5	12		
6-3	T-shape Back Joints	L80*120*62	AL6005-T5	24		
6-2	C Clamp 80	L80	AL6005-T5	72		
6-1	Beam 80	L3900*64*90	AL6005-T5	12		
5	Splice for Rail 105	L280	AL6005-T5	20		
4	Rail 105	L4800	AL6005-T5	24		
3	C Clamp Kit	L40	AL6005-T5	96		
2	Wide Clamp 35 Kit	L80	AL6005-T5	92		
1	End Clamp 35 Kit	L80	AL6005-T5	8		
No.	Serial No.	Description	Specification	Material	Qty	Remark

8	20*45 Tube	L3144	AL6005-T5	6	Pro-T-Corrugated Anchor Plate
7-2	Pro-T-Corrugated Anchor Plate	L120	AL6005-T5	48	
7-1	Corrugated gasket	40*25*4	AL6005-T5	144	



Xiamen Mibet New Energy Co.,Ltd.

Item Code **23-121115-07**

Proj. Name **B41-1MW Ground Project**

Panel	2279*1134*35	Power	540W	Angle	30°	Design	Chk' D	Appv' D	Do Not Scale Drawing	
Wind Speed	29 m/s	Snow Load	1.5 KN/m ²	Layout	2*24				View Scale 1:1	
Terrain Categories	B	Design Code							Date	2022-06-02
									Ver.	V11